

# PLANAS

## TECHNICAL DATA SHEET

**Code item:** 8

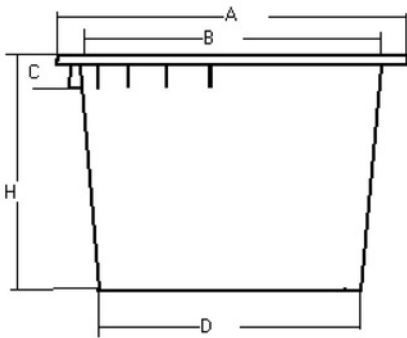
**Description:** Tub for plant nursery.

**Material:** PEHD (recycled polyethylene high density).

**Colour:** NER (black)

**Note:** The lid is available for tubs 500 and 700 liters, with the same characteristics and performances of the tub (items 77/500-NER and 77/700-NER).

Designed to handle (item 150), tap 1 inch and wine filter applications.



Item	Capacity (liters)	Weight (kg)	A mm	B mm	C mm	D mm	H mm	Q.ty per plt	Q.ty per stack (without plt)	Pile height (cm)
8/0110-NER	110	4	800	750	95	310	300	25	26	260
8/0225-NER	225	6	860	790	115	675	550	17	19	260
8/0350-NER	350	8,5	940	870	125	720	710	24	26	260
8/0500-NER	500	11,7	1045	970	80	840	815	21*	23*	260*
8/0700-NER	700	18,4	1160	1095	95	940	895	18	20	260
8/1000-NER	1000	26	1340	1240	175	1110	950	10	11	260

Min working temperature	°C	-20
Max working temperature	°C	+80

\*High spacers  
All tubs except 110 liter have graduated scale